

1

2

3

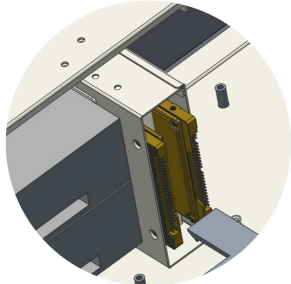
4

5

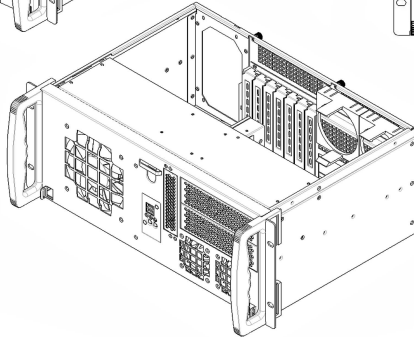
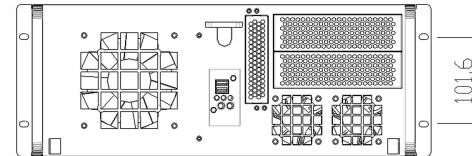
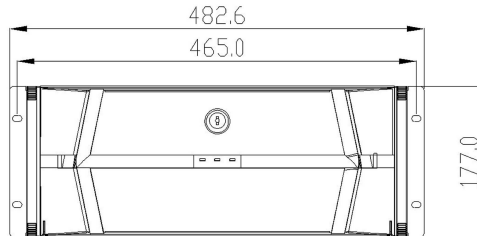
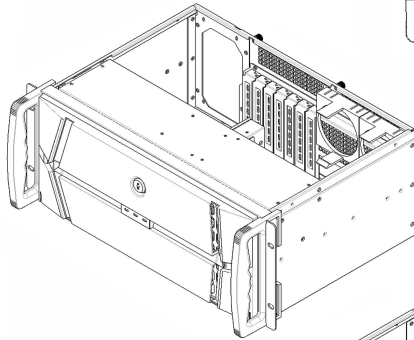
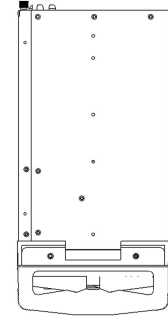
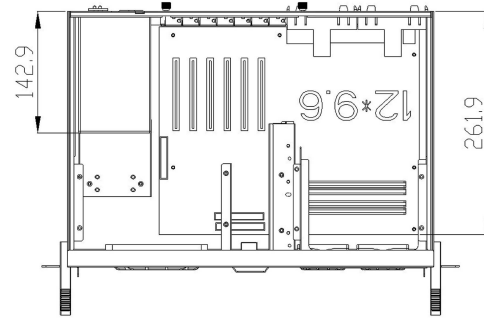
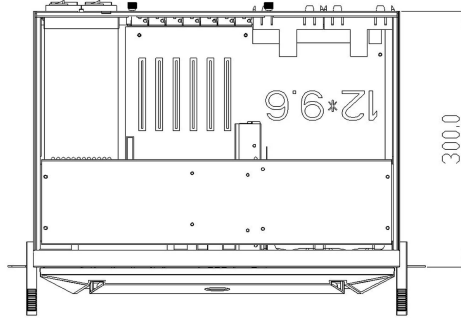
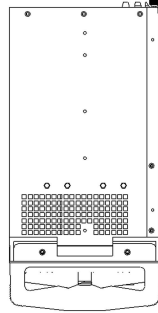
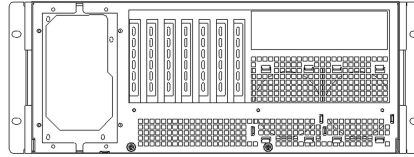
6

7

REVISIONS		日期 DATE
版次 REV.	修訂 記號 DESCRIPTION	



One FDD/HDD bay can be replaced/installed by Two internal 2.5" SSD/HDD



A

B

C

D

E

容許公差: TOLERANCES:	.XXX ±.025 .XX ±.100 .X ±.250	材料規格: MATERIAL:	SGCC sheet metal at 1.2mm~2.0mm		品名: MODEL NO:	4U black enterprise short-depth server chassis	
核准者: APPROVE BY:	Robert Roan	日期: DATE:	January 05, 2022		料號: PART NO:	E430e	
審核者: CHECK BY:	Tammy Lin	日期: DATE:	January 05, 2022		圖號: DRAW NO:	檔號: FILE NO:	E430e-20220105
繪圖者: DRAW BY:	Danny Chih	日期: DATE:	January 05, 2022		單位: UNITS:	版次: REV. NO:	1.0
投影法: PROJECTION:	第三角法	規格: SPEC:	編號: SHEET:	OF			

**Genesys Group** 台灣工控有限公司  
genesysgroup.com.tw