

1 2 3 4 5 6 7

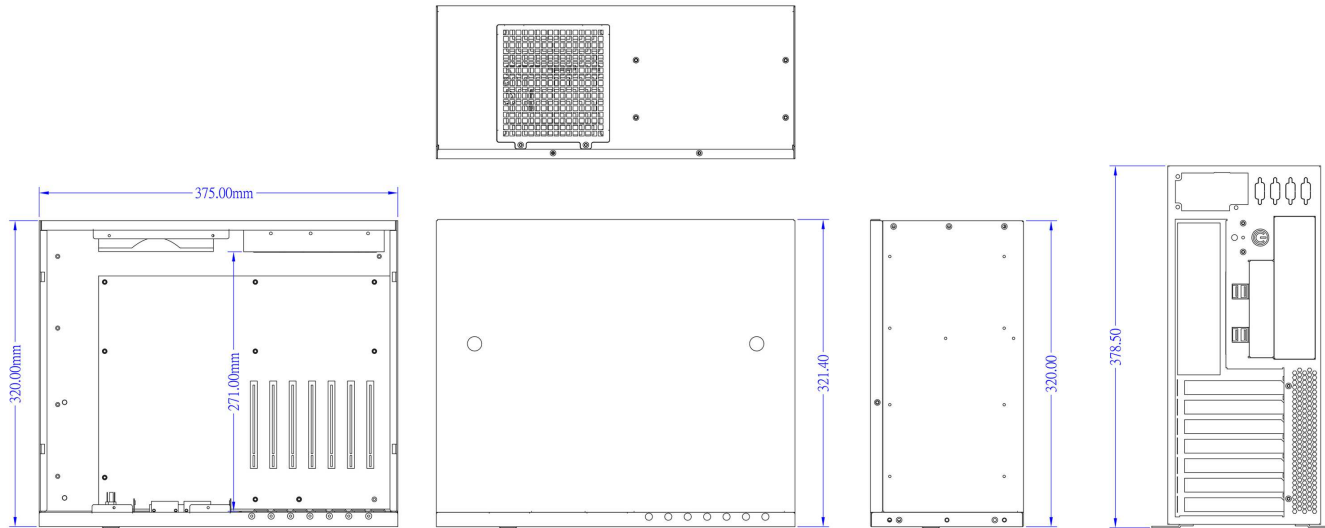
A

B

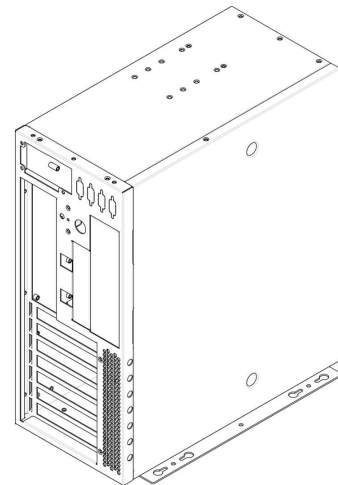
C

D

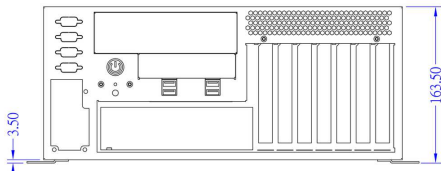
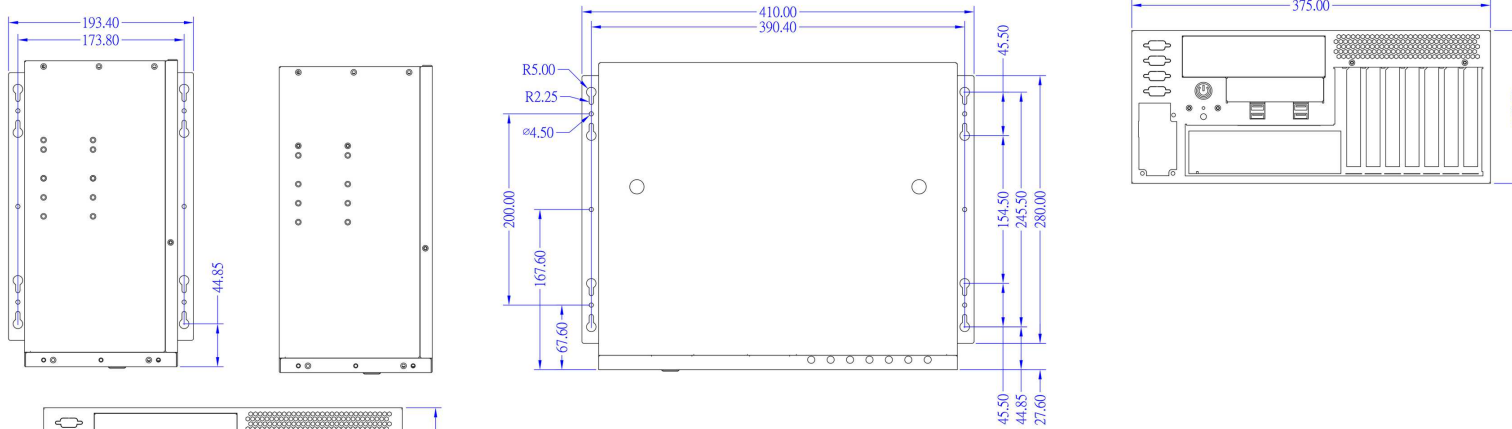
E



Maximum 270mm deep 7 cards installable if one 3.5" HDD installed at rear
Maximum 280mm deep 7 cards installable if two 2.5" SSD installed at rear



Optional part number: ATX-101B-WALL-BK
Description: Black wallmount kit (unit is PAIR)



1U Flex ATX power supply compatible with the PSU depth at 150mm, 170mm, 190mm, 220mm, 230mm

容許公差: TOLERANCES:	.XXX ±.025 .XX ±.100 .X ±.250	材料規格: MATERIAL:	SGCC sheet metal at 1.0mm	品名: MODEL NO:	Black ATX desktop-minitower-wallmount chassis
核准者: APPROVE BY:	Robert Roan	日期: DATE:	January 02, 2026	料號: PART NO:	ATX-101B
審核者: CHECK BY:	Jun Chen	日期: DATE:	January 02, 2026	圖號: DRAW NO:	ATX-101B-20260102
繪圖者: DRAW BY:	Veness Huang	日期: DATE:	January 02, 2026	單位: UNITS:	mm
投影法: PROJECTION:	第三角法	審核者: CHECK BY:	Jun Chen	版次: REV. NO:	1.0
		繪圖者: DRAW BY:	Veness Huang	規格: SPEC.:	
				編號: SHEET:	0F

Genesys Group 台灣工控有限公司
genesysgroup.com.tw