

A

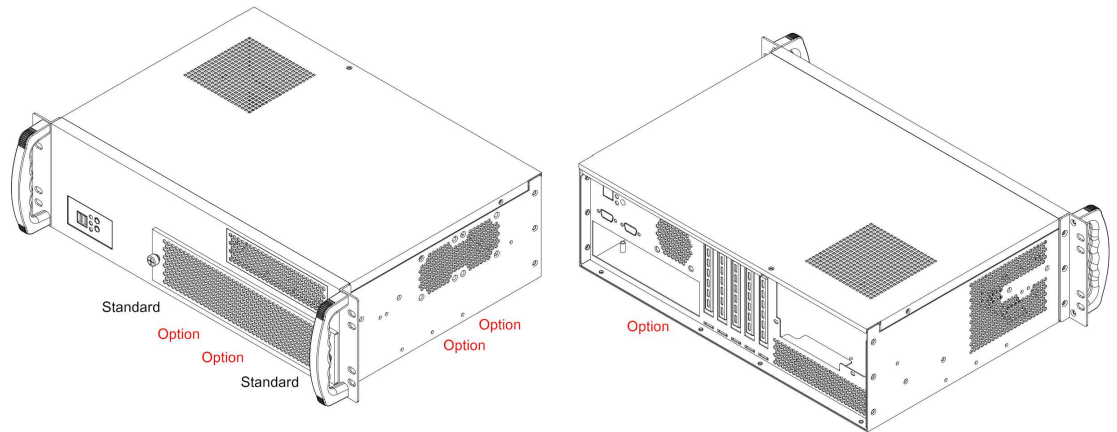
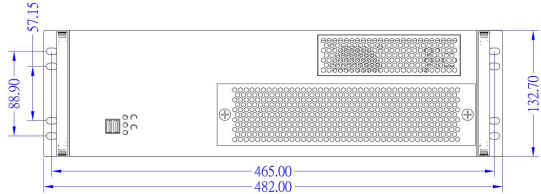
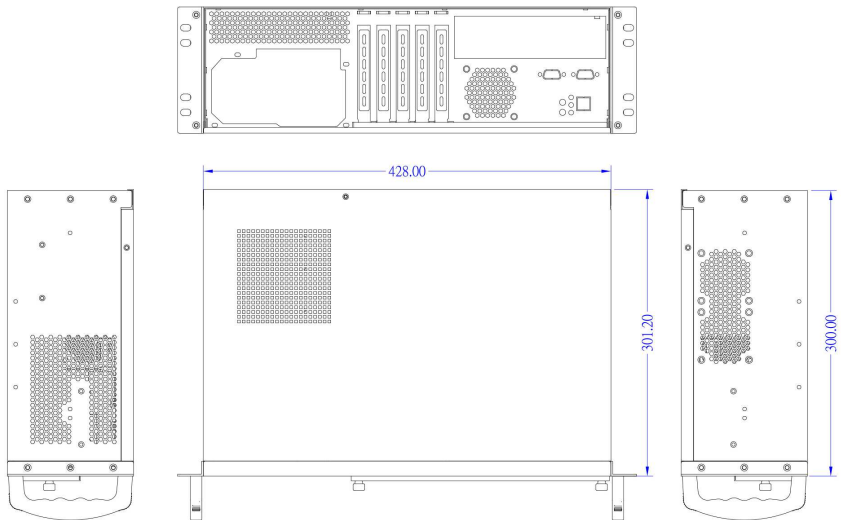
B

C

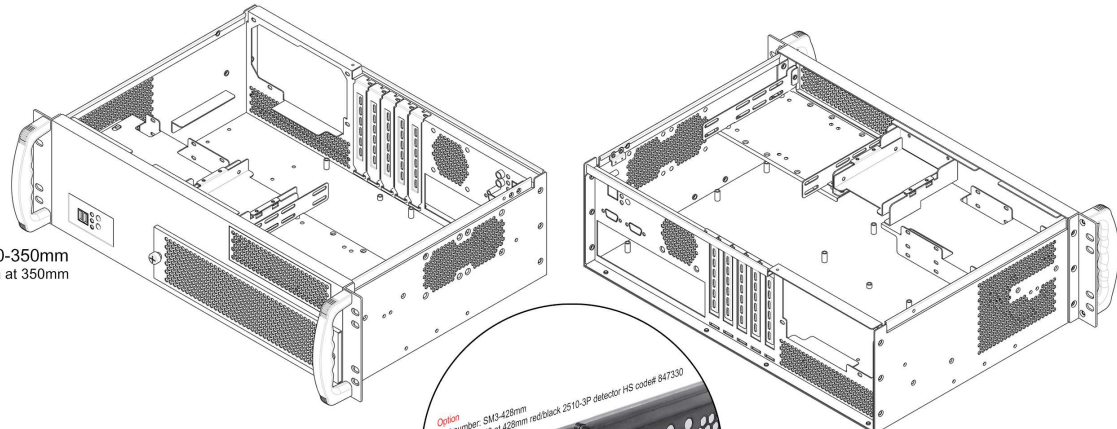
D

E

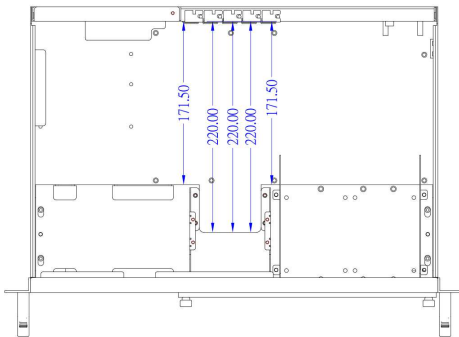
1 2 3 4 5 6 7



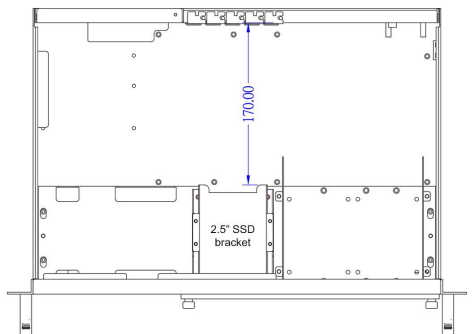
Fan part#: SUNTAI6025
 Description: Suntai 60mm x 25mm two-ball bearing fan
 Specification: DC12V, 0.14~0.35A, 1.96W, 4,500 RPM, Noise 40.0 dBA, CFM 21.72, Air pressure 6.81mm H2O
 Standard (fan installed)
 Option (fan not installed)



USB3-i700-350mm
 Cable length at 350mm



Option
 Part number: SM3-428mm
 Part name: SM3 at 428mm rear/black 2510-3P detector HS code# 847330



容許公差: TOLERANCES: .XXX ±.025 .XX ±.100 .X ±.250	材料規格: MATERIAL:	SGCC 1.2mm~2.0mm thickness		品名: MODEL NO:	3U black rackmount wallmount ATX chassis	
	核准者: APPROVE BY:	Robert Roan	日期: DATE:	May 06, 2025	料號: PART NO:	C330B
投影法: PROJECTION: 第三角法	審核者: CHECK BY:	Tammy Lin	日期: DATE:	May 06, 2025	圖號: DRAW NO:	檔號: FILE NO:
	繪圖者: DRAW BY:	Kim Wu	日期: DATE:	May 06, 2025	單位: UNITS:	mm
				版次: REV. NO:	2.0	規格: SPEC.:
						編號: SHEET:
						OF

Genesys Group 台灣工控有限公司
 genesysgroup.com.tw