

A

B

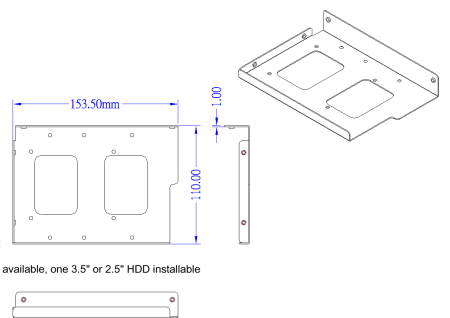
C

D

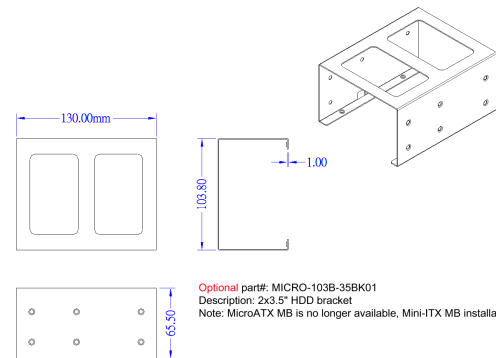
E

REVISIONS		日期 DATE
版次 REV.	修訂 記號 DESCRIPTION	

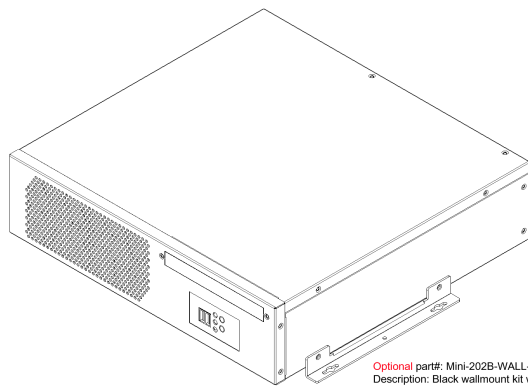
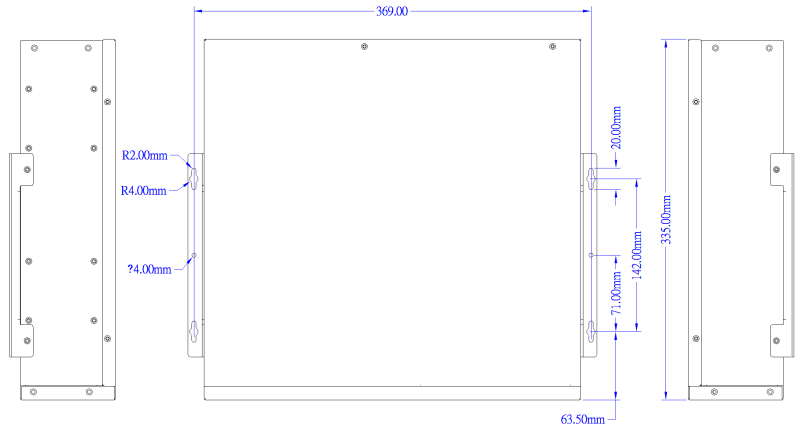
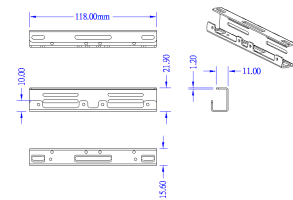
Optional part#: MICRO-103B-35BK02
Description: 1x3.5"/2.5" HDD bracket
Note: Front 1 x slim ODD is no longer available, one 3.5" or 2.5" HDD installable



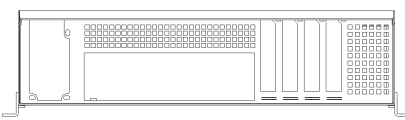
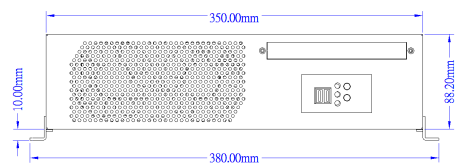
Optional part#: MICRO-103B-35BK01
Description: 2x3.5" HDD bracket
Note: MicroATX MB is no longer available, Mini-ITX MB installable



Optional part#: 25-35-BK
Description: 5.25" 3.5" 2.5" multiple HDD bracket



Optional part#: Mini-202B-WALL-BK-B
Description: Black wallmount kit with 2mm thickness



Genesys Group 台灣工控有限公司
genesysgroup.com.tw

容許公差: TOLERANCES:	材料規格: MATERIAL:	品名: MODEL NO:	Black MicroATX desktop-minitower-wallmount chassis	
.XXX ±.025	Major mechanism by SGCC 1.0mm thickness	料號: PART NO:	MICRO-103B	
.XX ±.100	核准者: APPROVE BY:	圖號: DRAW NO:	檔號: FILE NO:	MICRO-103B-20190211
.X ±.250	Robert Roan	日期: DATE:	單位: UNITS:	mm
投影法: PROJECTION:	審核者: CHECK BY:	日期: DATE:	版次: REV. NO:	1.0
第三角法	Jun Chen	日期: DATE:	規格: SPEC.:	
	繪圖者: DRAW BY:	日期: DATE:	編號: SHEET:	OF
	Veness Huang	February 11, 2019		