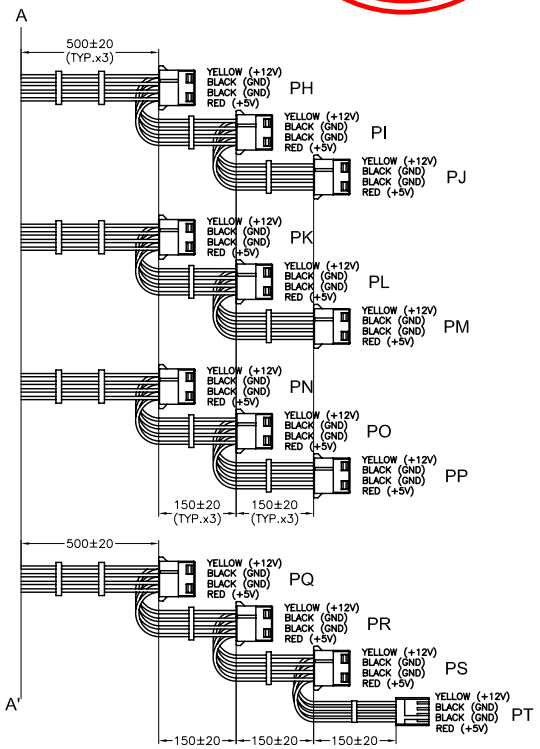
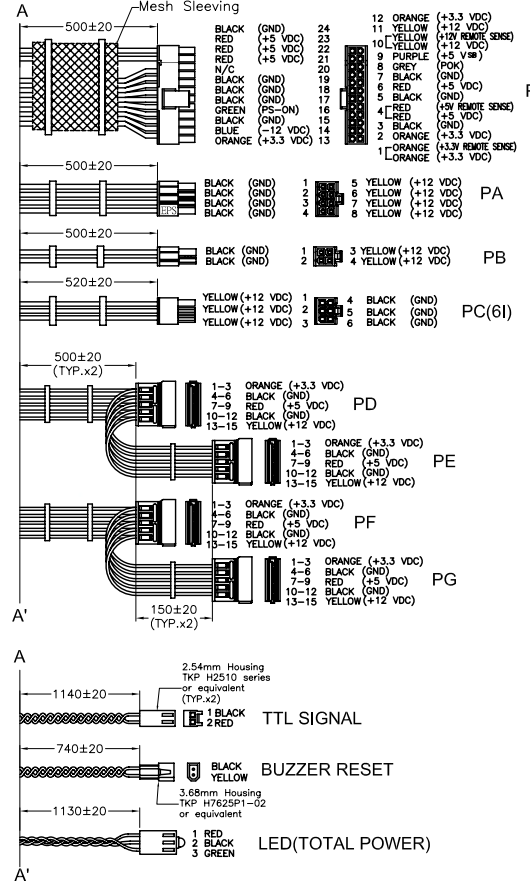
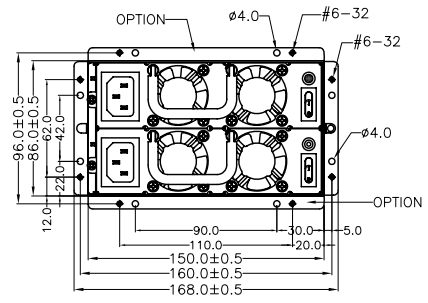
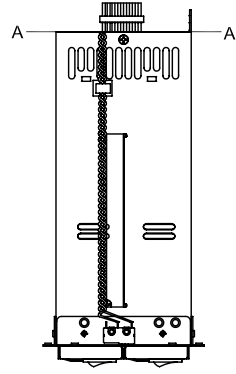
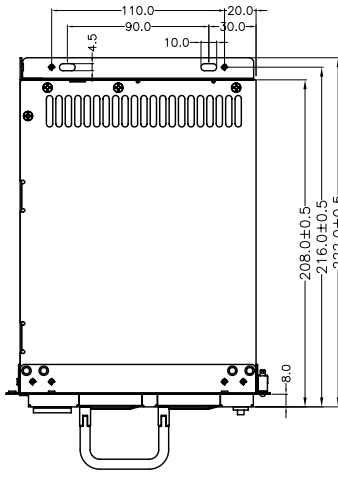
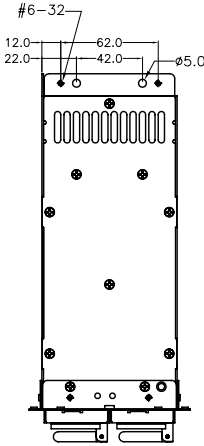
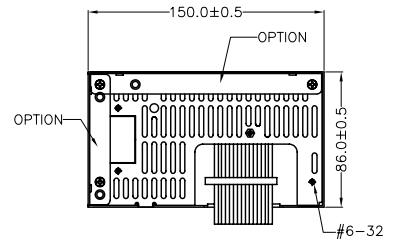




版次 REV.	REVISIONS REVISIONS	日期 DATE
	REVISIONS DESCRIPTION	



- Notes:
- (a) All the Length of Output Wires Exclude Housing.
  - (b) P24 Connector: MOLEX 39-01-2240 or EQUIV.  
Terminal: MOLEX 39-00-0059/79 or EQUIV.
  - (c) PA Connector: MOLEX 39-01-2080 or EQUIV.  
Terminal: MOLEX 39-00-0059/79 or EQUIV.
  - (d) PB Connector: MOLEX 39-01-2040 or EQUIV.  
Terminal: MOLEX 39-00-0059/79 or EQUIV.
  - (e) PC Connector: MOLEX 455590002 or EQUIV. (6P PCI Express)  
Terminal: MOLEX 39-00-0059 or EQUIV.
  - (f) PD-PG Connector: MOLEX 675820000 or EQUIV.  
Terminal: MOLEX 675810000 or EQUIV.
  - (g) PH-PS Connector: AMP 1-480424-0 or EQUIV.  
Terminal: AMP 61117-4 or EQUIV.
  - (h) PT Connector: AMP 171822-4 or EQUIV.  
Terminal: AMP 170262-1 or EQUIV.

EMACS 新巨企業股份有限公司  
ZIPPY TECHNOLOGY CORP.  
POWER DIVISION

品名: MODEL NO:	MRG-5800V4V
料號: PART NO:	B00MRG080V051
圖號: DRAW NO:	B00MRG080V051
櫃號: FILE NO:	B00MRG080V051
單位: mm REV. NO:	B1
規格: A0 SHEET:	OF

容許公差: TOLERANCES:	.XXX ±.025 .XX ±.100 .X ±.250
材料規格: MATERIAL:	
核准者: APPROVE BY:	黃永欣
日期: DATE:	MAY-23-2014
審核者: CHECK BY:	李宗翰
日期: DATE:	MAY-23-2014
繪圖者: DRAW BY:	林意紋
日期: DATE:	MAY-23-2014

