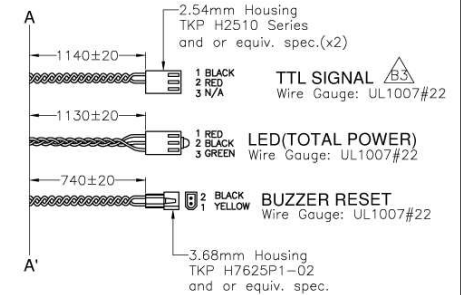
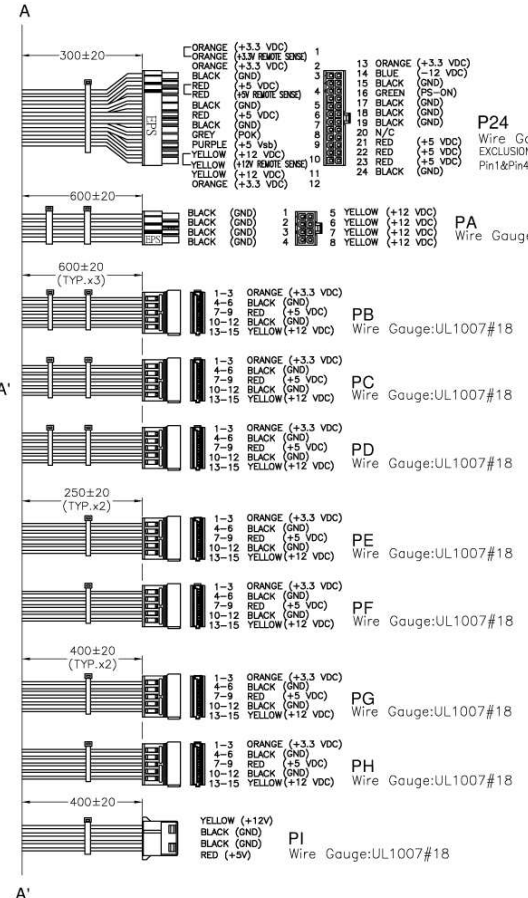
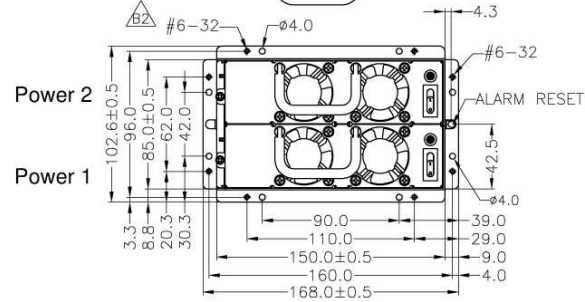
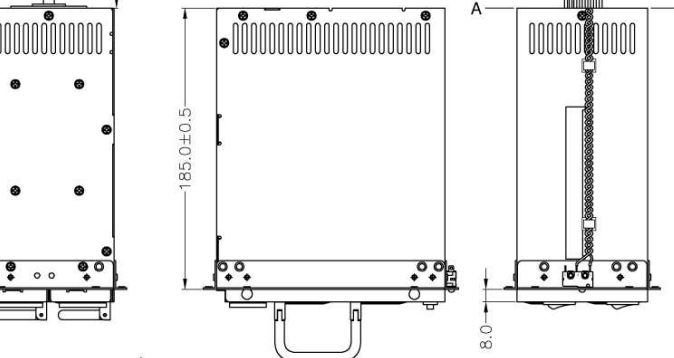
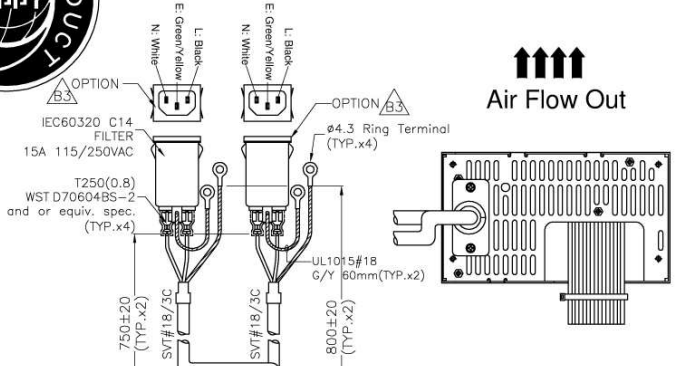




REVISIONS		日期 DATE
版次 REV.	記號 DESCRIPTION	日期 DATE
B2	依實物修改機構圖面	APR-06-2021
B3	依客戶要求filter改附包材&變更出線規格	MAY-04-2021

A
B
C
D
E



- Notes:
- (a) All the Length of Output Wires Exclude Housing.
 - (b) P24 Connector: WST P24-I42002 and or equiv. spec. Terminals: WST I42002PS-2/2A and or equiv. spec.
 - (c) PA Connector: MOLEX 39-01-2080 and or equiv. spec. Terminal: MOLEX 39-00-0059/79 and or equiv. spec.
 - (g) PB-PH Connector: WST P5-I12707 and or equiv. spec. #18-#22 Terminals: WST I12707PS-00 and or equiv. spec.
 - (e) PI Connector: JMT JP1120V2-4 and or equiv. spec. #18-#22 Terminals: JMT J11202PS-2T03 and or equiv. spec.



FAN REVERSED



容許公差: TOLERANCES: .XXX ±.025 .XX ±.100 .X ±.250	材料規格: MATERIAL:	日期: DATE: MAY-04-2021	品名: MODEL NO: MRW-5500V4V
核准者: APPROVE BY: 李宗翰	審核者: CHECK BY: 李宗翰	日期: DATE: MAY-04-2021	料號: PART NO: B00MRW050V055
投影法: PROJECTION: 第三角法	繪圖者: DRAW BY: 羅浚鈺	日期: DATE: MAY-04-2021	圖號: DRAW NO: B00MRW050V055 檔號: FILE NO: B00MRW050V055
		日期: DATE: MAY-04-2021	單位: mm 版次: B3 規格: A0 編號: OF