

1 2 3 4 5 6 7

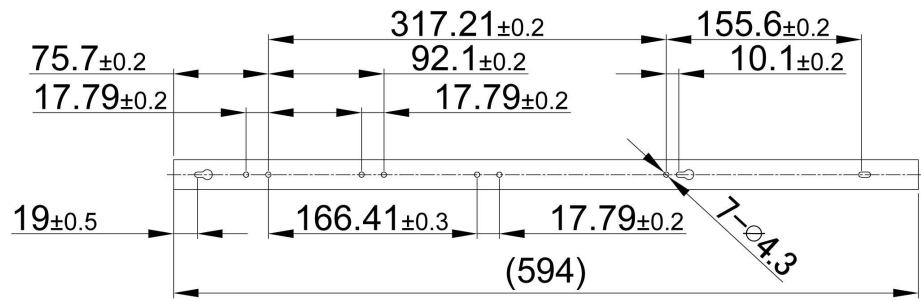
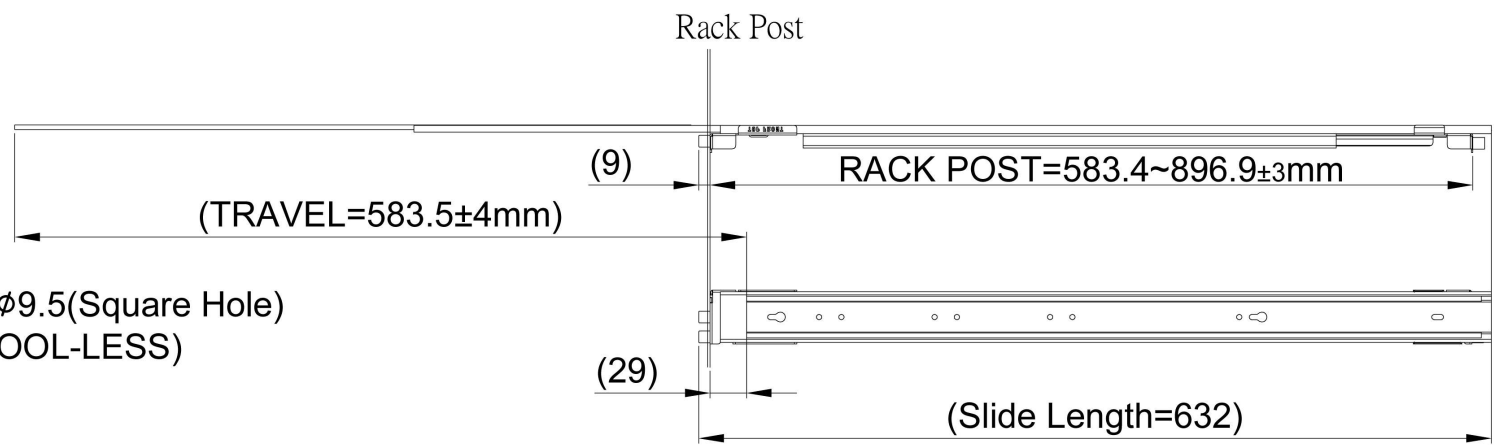
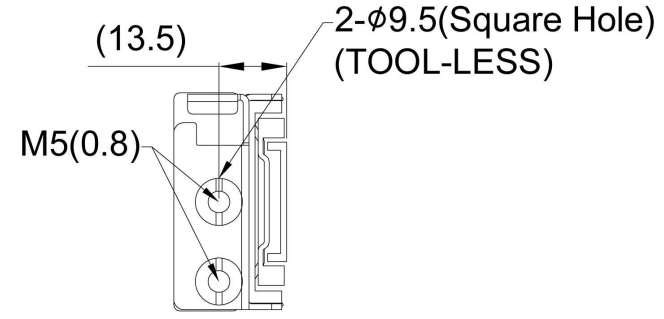
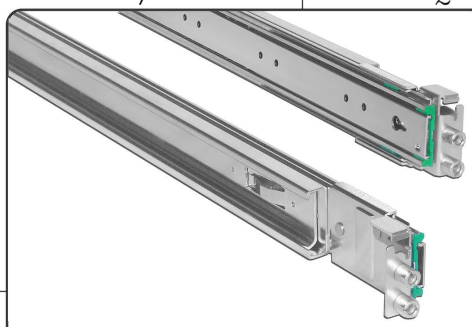
A

B

C

D

E

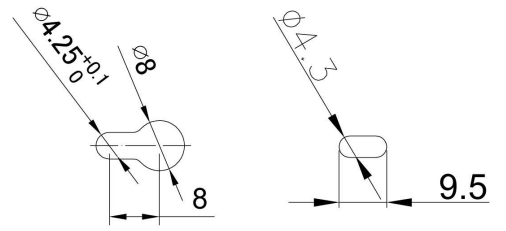
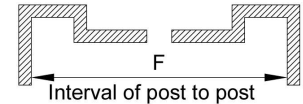


- ② M4x4L
- ③ M5x6L
- ④ ROUND-HOLE PIN φ7.1(-)
- (FOR φ7.1 ROUND-HOLE RACKS)
- ⑤ ROUND-HOLE PIN φ7.1(+)
- (FOR φ7.1 ROUND-HOLE RACKS)

Content per paper box

ITEM	NAME	P/N	QUANTITY	NOTE
①	SLIDE RAIL	USH-40SVH615-GN1 (NJ-S632)	1SET	L/R
②	M4xP0.7-4L-I SCREW		12PCS	
③	M5xP0.8-6L-T SCREW		2PCS	
④	ROUND HOLE PIN φ7.1(-)		4PCS	
⑤	ROUND HOLE PIN φ7.1(+)		4PCS	

Note: 1. Test standard: Follow IEC 62368-1 8.11.3/8.11.4/8.11.5
 2. It shows the left side on the drawing, Right side is the same as Left side.
 3. Rack post=601.9~896.9mm。
 Please refer to the operation manual.
 4. FOR CHASSIS W=438±0.5mm。



容許公差: TOLERANCES:	.XXX ±.025 .XX ±.100 .X ±.250
投影法: PROJECTION:	第三角法

材料規格: MATERIAL:	核准者: APPROVE BY: Robert Roan	日期: DATE: August 10, 2023
	審核者: CHECK BY: Tammy Lin	日期: DATE: August 09, 2023
	繪圖者: DRAW BY: Venness Huang	日期: DATE: August 08, 2023

Genesys Group 台灣工控有限公司 genesysgroup.com.tw	
品名: MODEL NO:	632mm 3-travel slimline slide rail
料號: PART NO:	NJ-S632
圖號: DRAW NO:	USH-40SVH615-GN1-20230808
檔號: FILE NO:	NJ-S632-DRAWING-20230810
單位: UNITS:	mm
版次: REV. NO:	0.0
規格: SPEC.:	
編號: SHEET:	OF