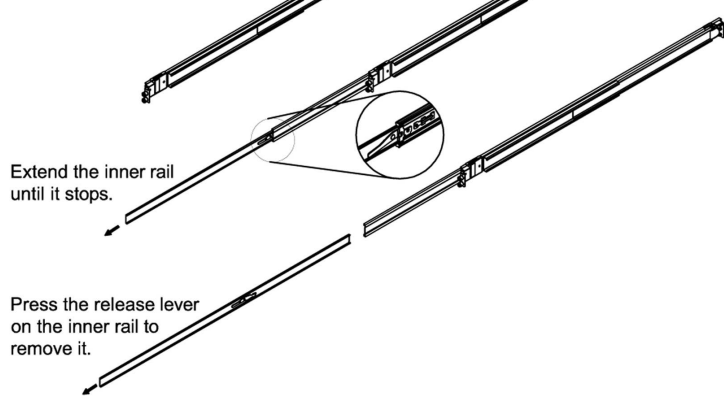


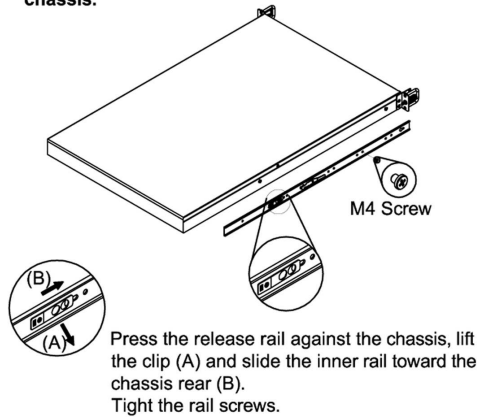
STEP1

Release the inner rail from the outer rail.



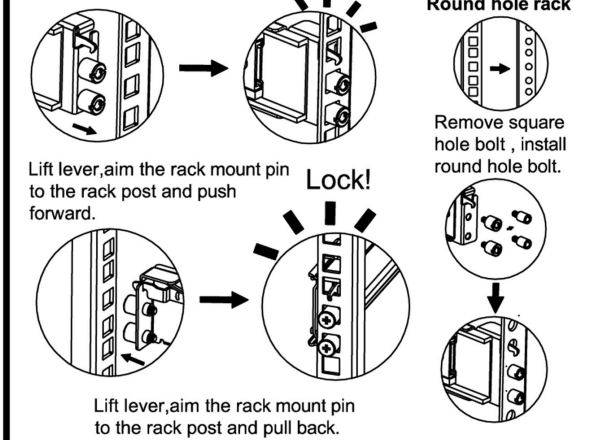
STEP2

Attach the inner rail to the chassis.



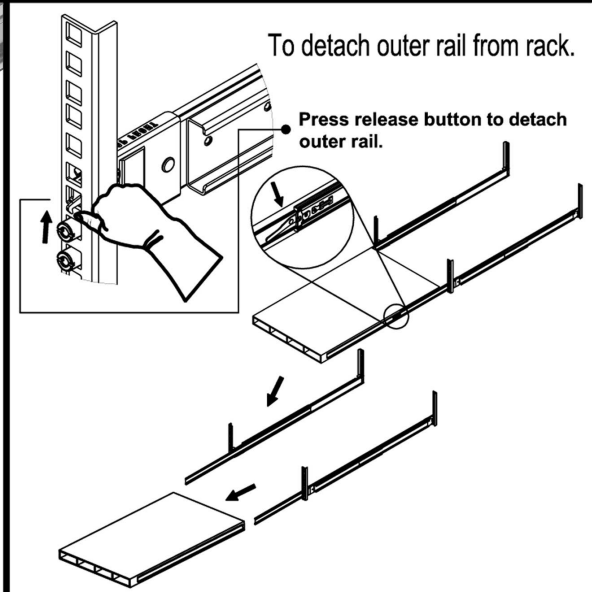
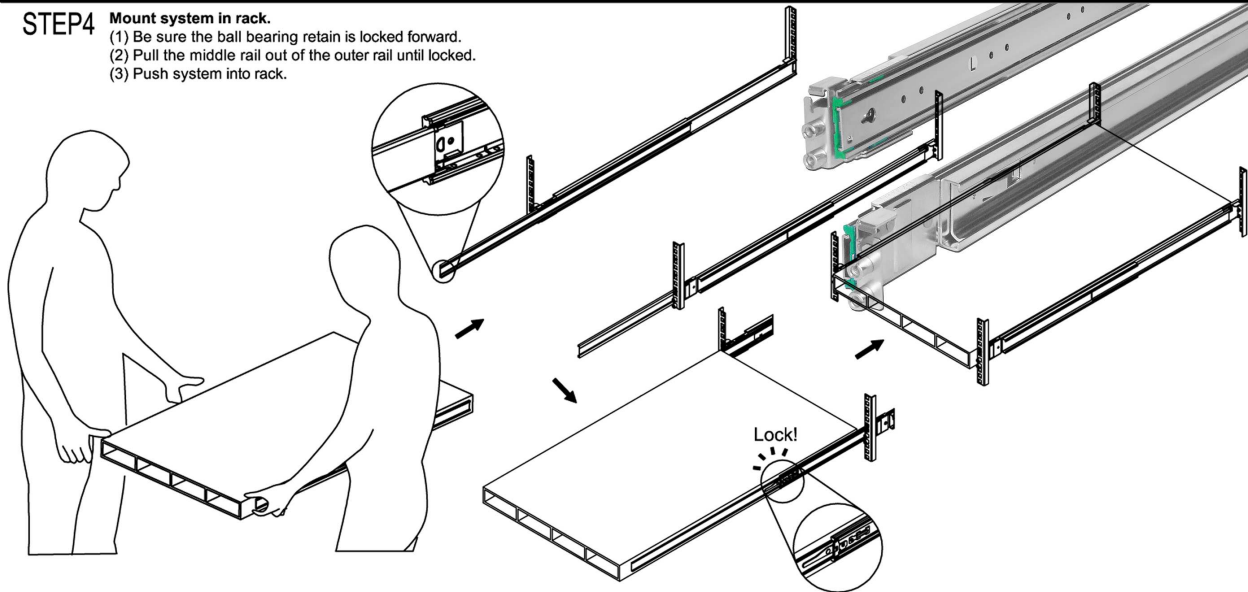
STEP3

Attach the outer rail to the rack.



STEP4 Mount system in rack.

- (1) Be sure the ball bearing retain is locked forward.
- (2) Pull the middle rail out of the outer rail until locked.
- (3) Push system into rack.



Installation instructions
Global 3 years warranty
Loading for 39kg (86lbs)

容許公差: TOLERANCES:	.XXX ±.025 .XX ±.100 .X ±.250
投影法: PROJECTION:	第三角法

材料規格: MATERIAL:	核准者: APPROVE BY:	日期: DATE:
Robert Roan	August 10, 2023	
審核者: CHECK BY:	日期: DATE:	
Tammy Lin	August 09, 2023	
繪圖者: DRAW BY:	日期: DATE:	
Veness Huang	August 08, 2023	

Genesys Group 台灣工控有限公司 genesysgroup.com.tw	
品名: MODEL NO:	632mm 3-travel slimline slide rail
料號: PART NO:	NJ-S632
圖號: DRAW NO:	USH-40SVH615-GN1-20230808
檔號: FILE NO:	NJ-S632-20230810
單位: UNITS:	mm
版次: REV. NO:	0.0
規格: SPEC.:	
編號: SHEET:	OF