

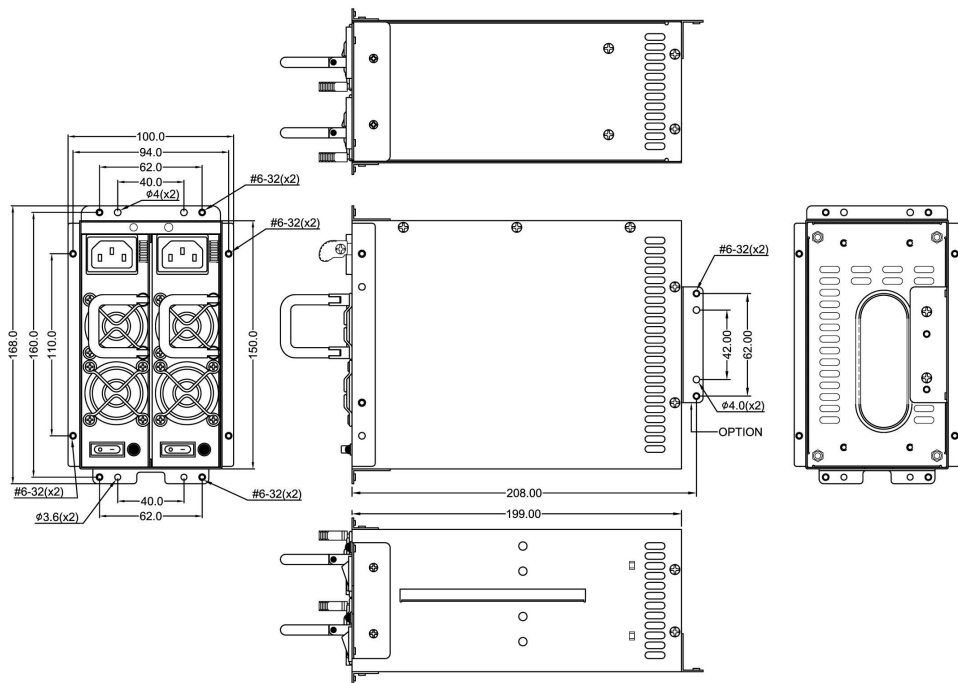
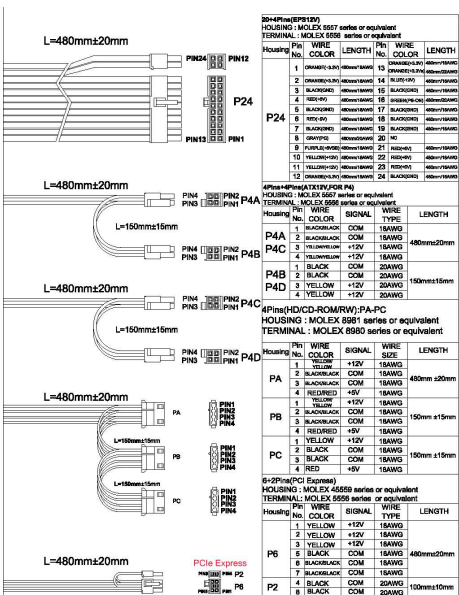
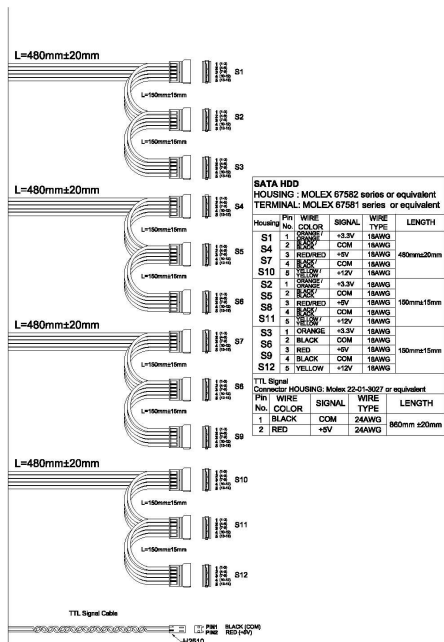
A

B

C

D

E



R4B-600G1V2 (600W)
R4B-700G1V2 (700W)
R4B-800G1V2 (800W)

容許公差:
TOLERANCES:
.xxx ±.025
.xx ±.100
.x ±.250

投影法:
PROJECTION:
第三角法

材料規格:
MATERIAL: UL, TUV, CB, CE, FCC, BSMI, CCC, EN62368

核准者:
APPROVE BY: Robert Roan

日期:
DATE: January 06, 2021

審核者:
CHECK BY: Jun Chen

日期:
DATE: January 06, 2021

繪圖者:
DRAW BY: Jack Wu

日期:
DATE: January 06, 2021

Genesys Group 台灣工控有限公司
genesysgroup.com.tw

品名: PS2 600W 700W 800W
MODEL NO: Mini-Redundant power supply with PFC

料號:
PART NO: R4B-600G1V2 R4B-700G1V2 R4B-800G1V2

圖號:
DRAW NO: R4B-010

權號:
FILE NO: R4B-20210106

單位: mm
UNITS: REV. No: 1.0

規格:
SPEC.: 編號: OF