

1 2 3 4 5 6 7

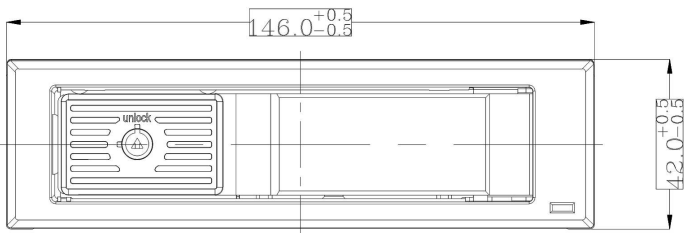
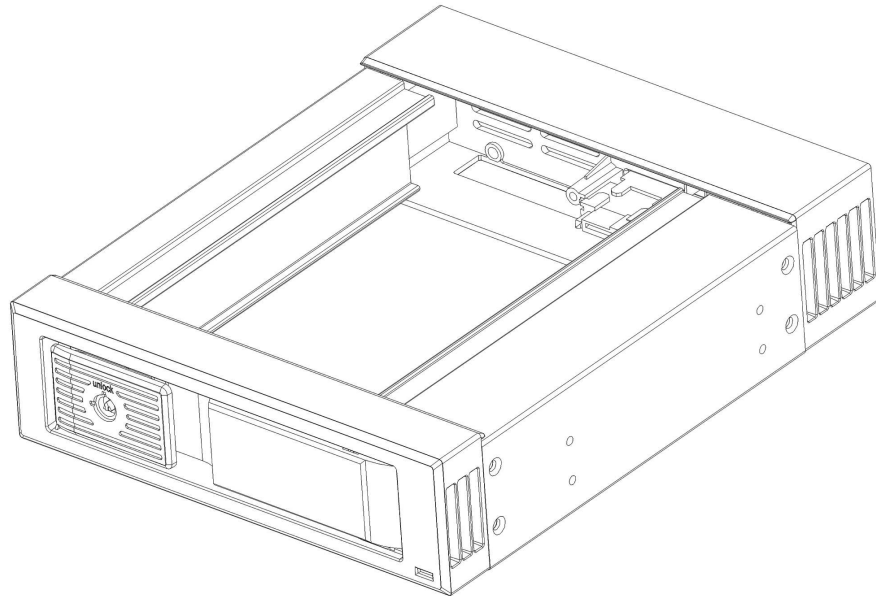
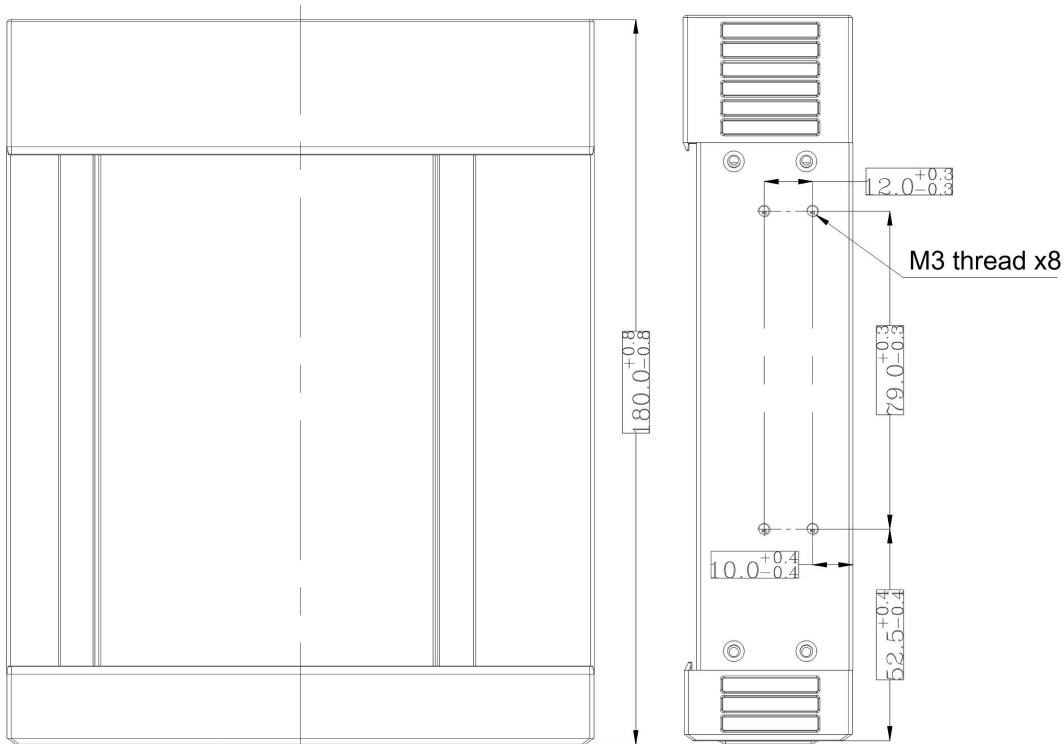
A

B

C

D

E



容許公差: TOLERANCES:	.XXX ±.025 .XX ±.100 .X ±.250
投影法: PROJECTION:	第三角法

材料規格: MATERIAL:	Major mechanism by heat conductive aluminum extrusion with glossy brushed	
核准者: APPROVE BY:	Robert Roan	日期: DATE: June 27, 2023
審核者: CHECK BY:	Jun Chen	日期: DATE: June 27, 2023
繪圖者: DRAW BY:	Veness Huang	日期: DATE: June 27, 2023

Genesys Group ® 台灣工控有限公司 genesysgroup.com.tw	
品名: MODEL NO:	1x5.25" to 1x3.5" TrayLess HotSwap Cage SATA/SAS 12G
料號: PART NO:	TL135-12G
圖號: DRAW NO:	檔號: FILE NO: TL135-12G-20230627
單位: UNITS: mm	版次: REV. NO: 0.0
規格: SPEC.:	編號: SHEET: 0F