

A

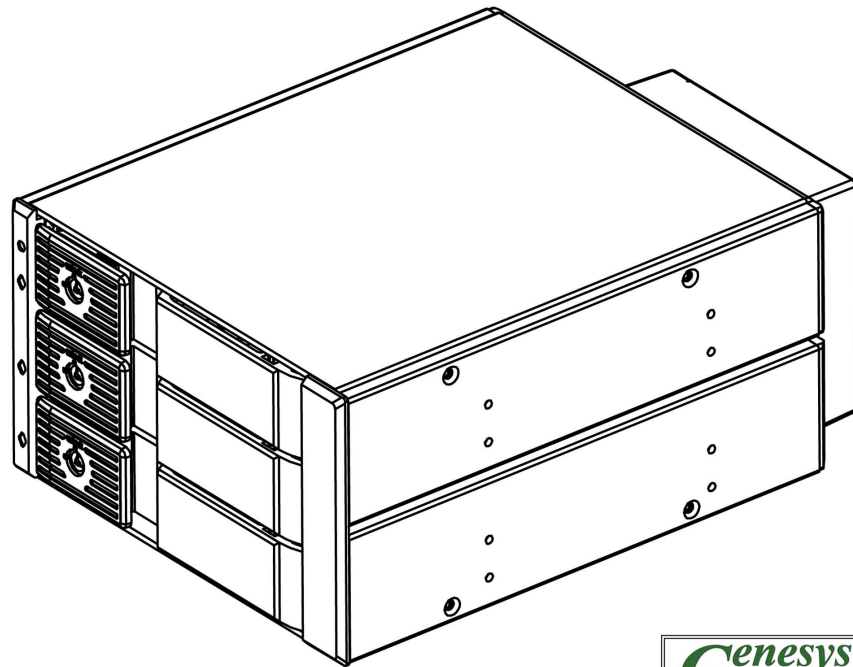
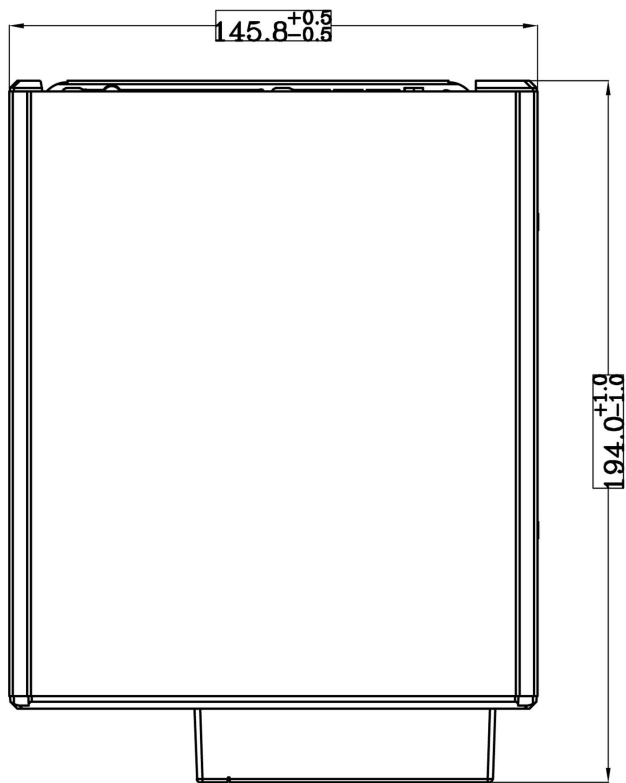
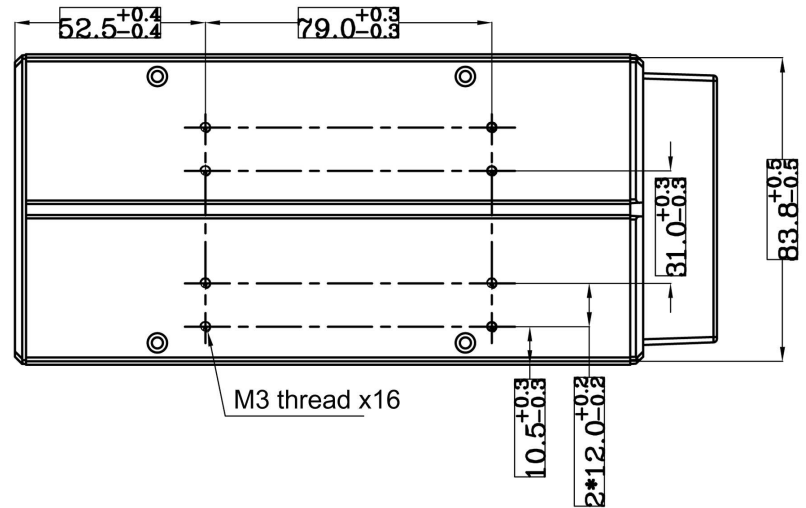
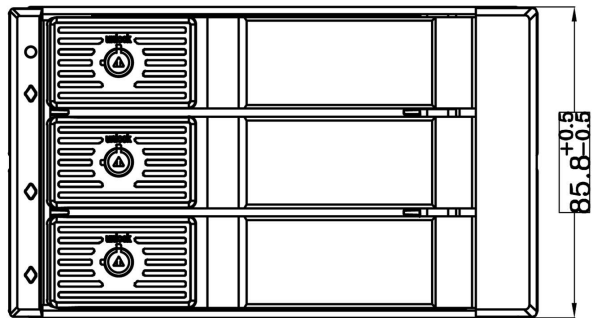
B

C

D

E

1 2 3 4 5 6 7



容許公差:  
TOLERANCES:  
.XXX ±.025  
.XX ±.100  
.X ±.250

投影法:  
PROJECTION:  
第三角法

材料規格: Major mechanism by heat conductive aluminum extrusion with glossy brushed  
MATERIAL:

核准者: Robert Roan 日期: June 27, 2023  
APPROVE BY: DATE:  
審核者: Jun Chen 日期: June 27, 2023  
CHECK BY: DATE:  
繪圖者: Venness Huang 日期: June 27, 2023  
DRAW BY: DATE:

**Genesys Group** 台灣工控有限公司  
genesysgroup.com.tw

品名: 2x5.25" to 3x3.5" TrayLess HotSwap Cage SATA/SAS 12G  
MODEL NO:  
料號: TL335-12G  
PART NO:  
圖號: 檔號: TL335-12G-20230627  
DRAW NO: FILE NO:  
單位: mm 版次: 0.0 規格: 編號: OF  
UNITS: REV. NO: SPEC.: SHEET: